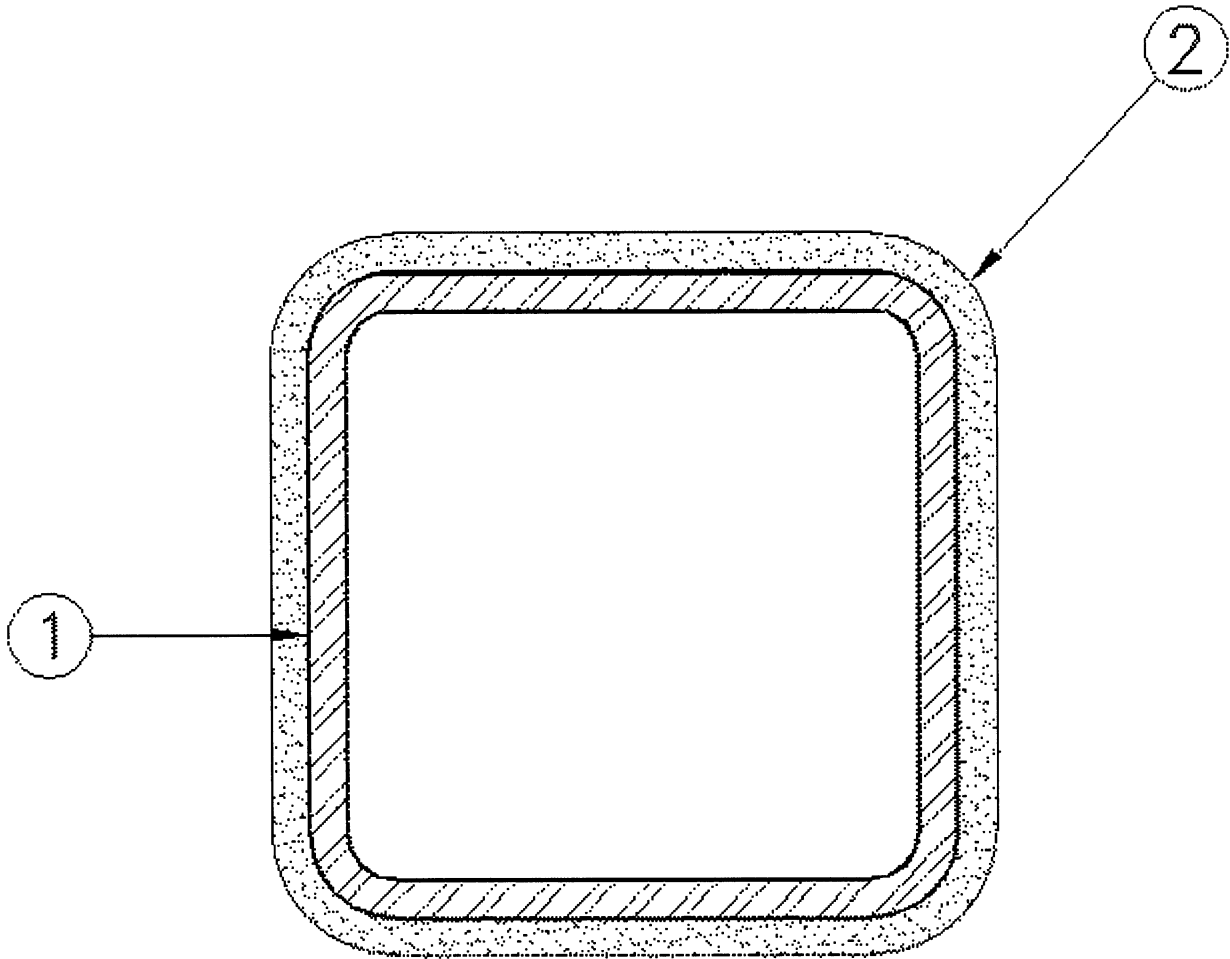


FM APPROVALS
Project ID: 3026158

Appendix C

1-1/2 or 2 Hour Fire Resistant Column

COLUMN PROTECTION METHOD 8



FM APPROVALS
Project ID: 3026158

Appendix C

1-1/2 or 2 Hour Fire Resistant Column

COLUMN PROTECTION METHOD 8

1. Steel Column — Square steel tube columns with the minimum sizes shown in the table below, or square, hollow structural section (HSS) with M/D as specified below. All columns should be free of dirt, loose scale and oily deposits.

2. Mastic Coating — Coating applied in accordance with manufacturer's instructions to the minimum dry film thicknesses shown below. Column surfaces should be primed as per manufacturer's instructions.

Ratings, hr	Min Column Size, in.	Column A/P	Min Column Size, mm	Min M/D	Required Min Film Thickness, in. (mm)
1-1/2	ST 10 x 10 x 5/16	0.30	HSS 254 x 254 x 8	59.0	0.188 (4.78)
2	ST 10 x 10 x 5/16	0.30	HSS 254 x 254 x 8	59.0	0.257 (6.54)

M = Mass of column section, kg/m.

D = Heated perimeter of column section, m.

A/D Fire Protection Systems Inc 420 Tapscott Road Unit 5 Scarborough Ontario M1B 1Y4
A/D FIREFILM III.

3. Top Coat — (Not shown) — Finishing topcoat, (silicone alkyd paint) applied at an approximate 0.002 in. (0.05 mm) dry film thickness.

A/D Fire Protection Systems Inc 420 Tapscott Road Unit 5 Scarborough Ontario M1B 1Y4
A/D COLORCOAT.