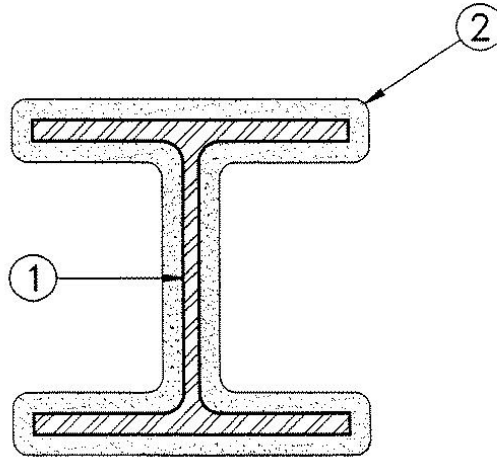


UL Design No. X643
December 06, 2005

Ratings- 1-1/2, 2 Hr (See Item 2)



1. **Steel Column** — Wide flange steel columns with the minimum sizes shown in the table below. Columns shall be free of dirt, loose scale and oil.

2. **Mastic Coating*** — Coating applied in accordance with manufacturer's instructions to the minimum dry film thickness shown below:

	Column	Column	Required Min
Rating, hr	Description, In.	W/D	Thickness, In.
1-1/2	W8x31	0.66	0.213
2	W12x120	1.64	0.095

A/D FIRE PROTECTION SYSTEMS INC — Types "A/D FIREFILM II" and "A/D FIREFILM III" investigated for Interior Conditioned Space Purpose and Interior General Purpose.

3. **Top Coat** — (Not shown) — Finishing topcoat, Type "A/D COLORCOAT" silicone alkyd paint applied at an approximate 0.002 in. dry film thickness.

*Bearing the UL Classification Mark