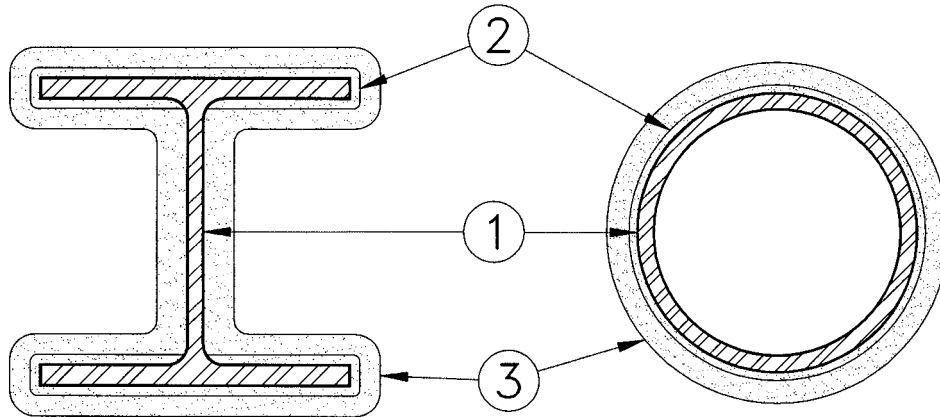


ULC DESIGN No. Z617

Rating – 2 h



1. Steel Column – W-shaped and HSS tubular pipe column as indicated below.

2. Glass Cloth Mesh Reinforcement – Self adhesive, alkali resistant glass mesh cloth, 152 g/m² applied over the first coat of "A/D Firefilm II" around W-shaped column flanges or wrapped around HSS tubular pipe column.

• **3. Thin-Film Intumescent Coating** – (Guide No. 40 U18.12.9). Coating designated "A/D FIREFILM II" " A/D FIREFILM III" applied in accordance with manufacturer's instructions to the minimum dry film thickness shown below.

Rating, h	Column Size	Column, M/D	Required Min "A/D FIREFILM II or III" Thickness, mm
2	W250x115	74.0	3.50
2	HSS tubular pipe 114 mm dia XXS (17.1 mm wall thickness)	113.9	4.42

A/D FIRE PROTECTION SYSTEMS INC.

4. Finish Coating (not shown) – Silicone alkyd paint designated "A/D COLORCOAT".