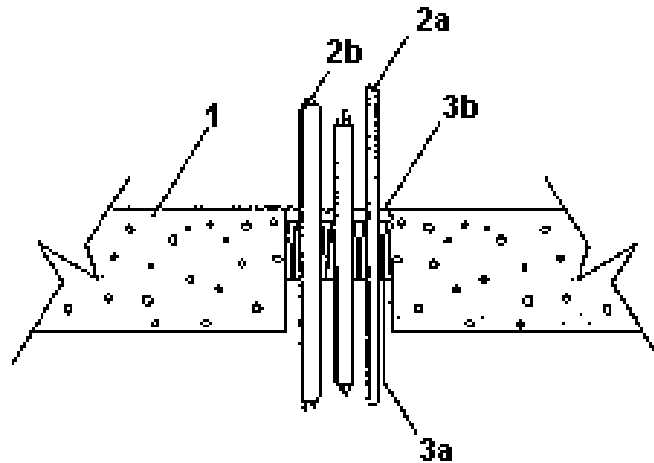


ITS DESIGN NO. AD/PHV 180-05

Horizontal or Vertical (Floor or Wall),
F RATING - 3 HOURS,
T RATING - NO PENETRATIONS - 2 HOURS, WITH PENETRATIONS - 1 HOUR
TEST PRESSURE DIFFERENTIAL - 4 Pa (0.016 IN. OF WATER) MINIMUM



1. **Floor or Wall** - Minimum 6" (152 mm) thick normal density concrete. Maximum size of opening 4" x 4-3/4" (100 mm x 120 mm).
2. **Penetrations:** Nominal 2" (51 mm) diameter or smaller Schedule 40, or heavier steel pipe centrally located in the opening.
3. **Firestop Components:**
 - a. "A/D Firebarrier" or other Mineral Wool of minimum 4 pcf ($65 \text{ kg/m}^3 \pm 1/2 \text{ pcf}$ (8 kg/m^3 compressed a minimum of 33% between pipe and edge of opening. Minimum depth of 4" (100 mm) required. Minimum 1/4" (6.4 mm) space to be left above insulation for 3(b) or 3(c).
 - b. "A/D Firebarrier Silicone Sealant"* - applied over 3(a) to a minimum depth of 1/4" (6.4 mm). For vertical applications, apply to a minimum depth of 1/4" (6.4 mm) on both sides of assembly. OR
 - c. For horizontal applications only, "A/D Firebarrier Silicone Sealant SL"* - applied over

*Component bearing the Warnock Hersey Certification Mark