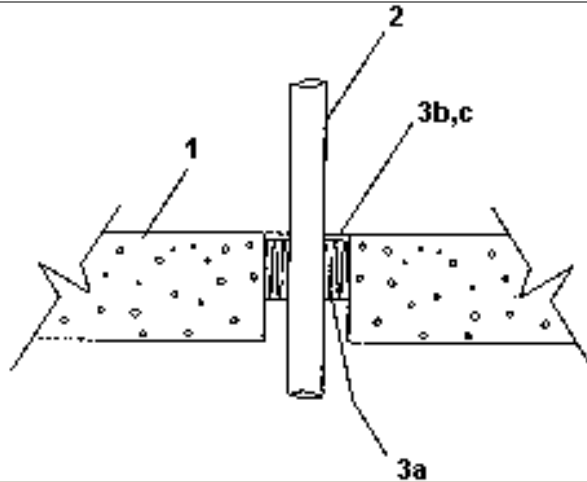


ITS DESIGN NO. AD/PHV 180-07

Horizontal or Vertical (Floor or Wall),
RATINGS - see below

TEST PRESSURE DIFFERENTIAL - 4 Pa (0.016 IN. OF WATER) MINIMUM

PENETRATION	RATING F	RATING T
With A/D Firebarrier Silicone Sealant SL		
No PENETRATION	3 HRS.	2 HRS.
Horizontal PENETRATION	3 HRS.	40 MIN.
With A/D Firebarrier Silicone Sealant		
No PENETRATION Vertical	3 HRS.	3 HRS.
No PENETRATION Horizontal	3 HRS.	1 HR.
Vertical OR Horizontal PENETRATION	3 HRS.	40 Min.



1.	Floor or Wall: Minimum 6" (152 mm) thick normal density concrete. Maximum size of opening 8" (203 mm) diameter.
2.	Penetrations: Nominal 3" (79.6 mm) diameter or smaller, copper pipe with a wall thickness of 1/16" (1.59 mm) or Schedule 40 or heavier steel pipe, reliably supported above the opening. Minimum of 1" (25 mm) to be maintained between pipe and perimeter of opening.
3.	Firestop Components: a. "A/D Firebarrier" or other Mineral Wool of minimum 4 pcf (65 kg/m ³ ± 1/2 pcf (8 kg/m ³ compressed a minimum of 33% between pipe and perimeter of opening. Minimum depth of 4" (100 mm) required. A minimum of 1/4" (6.4 mm) space to be left above insulation for 3(b) or (c). b. "A/D Firebarrier Silicone Sealant SL"* - applied over 3(a) to a minimum depth of 1/4" (6.4 mm). Horizontal applications only. OR c. "A/D Firebarrier Silicone Sealant"* - applied over 3(a) to a minimum depth of 1/4" (6.4 mm). For vertical applications apply to a minimum depth of 1/4" (6.4 mm) on both sides of assembly.

*Component bearing the Warnock Hersey Certification Mark