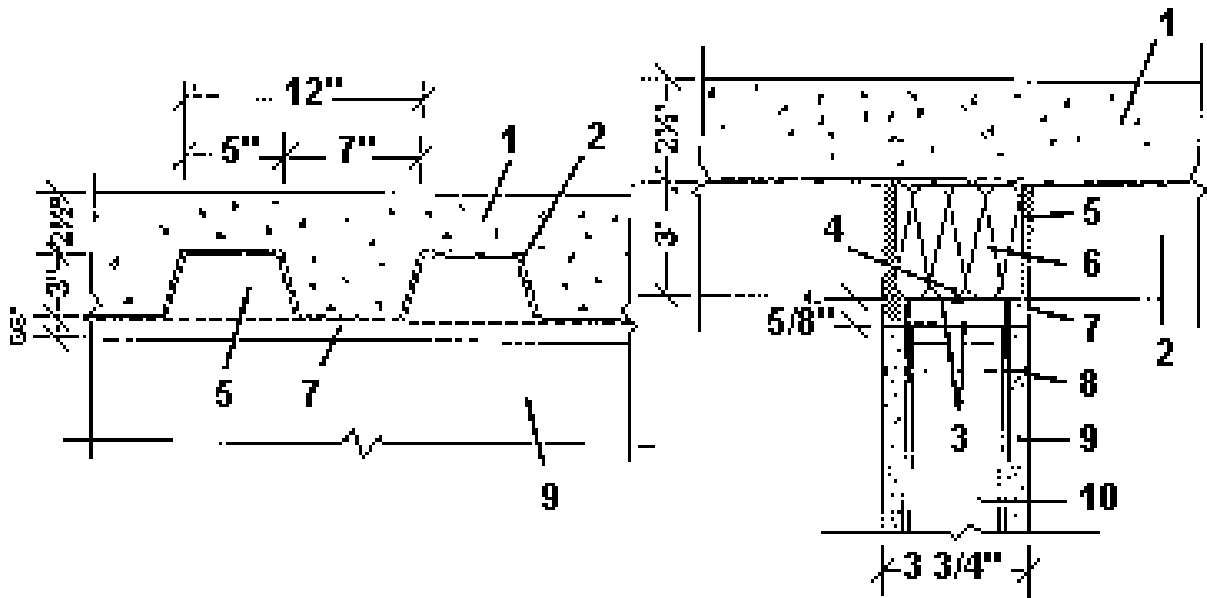


DESIGN NO. AD/PV 60-01

Vertical (Wall),
F AND T RATINGS - 1 HOUR
TEST PRESSURE DIFFERENTIAL - 7.5 Pa (0.03 IN. OF WATER) MINIMUM



1. **Normal Density Concrete:** 150 ± 3 lbs./ft³. Minimum thickness 2-1/2".
2. **Decking:** Verco W3, or equivalent 18 gauge galvanized steel decking.
3. **Ceiling Runner:** U-shaped 2-1/2" wide by 1-1/2" deep by 0.036" thick.
4. **Fasteners:** 1/2" long, #8 self-tapping screws spaced a maximum of 24" o.c.
5. **Firestop Component:** "A/D Firebarrier Silicone Sealant" - applied over 6. in fluted opening to a minimum thickness of 1/4".
6. **Firestop Component:** "A/D Firebarrier Mineral Wool" 3-3/4 lbs/ft³ compressed to 5.0 lbs/ft³ fitted within the fluted openings of 6. with a 1/4" recess from the wall surface.
7. **Firestop Component:** "A/D Firebarrier Silicone Sealant"* - 5/8" by 5/8" continuous fill, along perimeter relief above 9.
8. **Fastener:** 1" long #6 drywall screws, 12" o.c. attached to lower leg of ceiling runner 3.
9. **Gypsum Wallboard:** 5/8" Type X.
10. **Steel Studs:** 2-1/2" wide by 0.019" thick C studs spaced a maximum of 24" o.c.

*Component bearing the Warnock Hersey Certification Mark