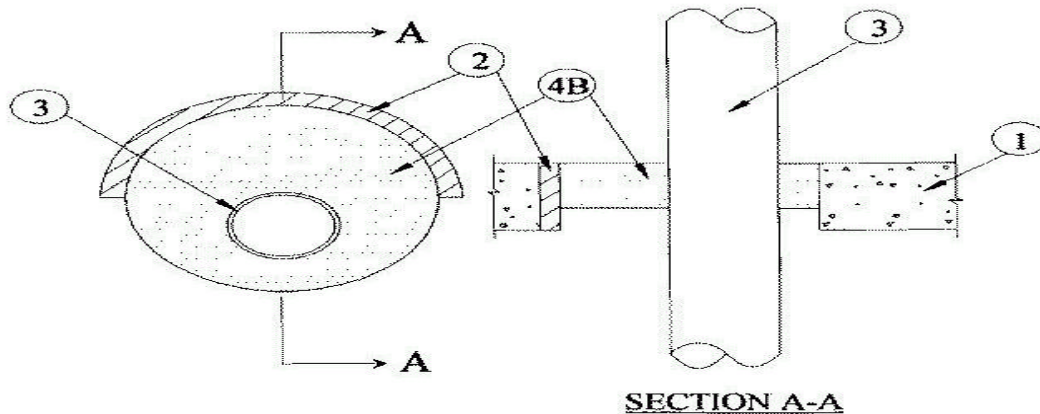


UL System No. C-AJ-2249

F Rating — 2 Hr

T Rating — 3/4 Hr



1. **Floor or Wall Assembly** Min 4-1/2 in. thick reinforced normal weight (140-150 pcf) concrete. Wall may also be constructed of any UL Classified **Concrete Blocks***. Max. dia. of opening is 8 in.

See **Concrete Blocks** (CAZT) category in the Fire Resistance Directory for names of manufacturers.

2. **Metallic Sleeve** (Optional) — Nom 8 in. dia. (or smaller) Schedule 40 (or heavier) steel sleeve cast or grouted into floor or wall assembly, flush with floor or wall surfaces.

3. **Through Penetrant*** — **Glass Pipe** Nom 2 dia. (or smaller) glass pipe for use in closed (process or supply) or vented (drain, waste, or vent) piping systems. One pipe to be installed either concentrically or eccentrically within the firestop system. The annular space between pipe and periphery of opening shall be min 1 in. to max. 4-5/8 in. Pipe coupling to be located a min 12 in. from floor or wall surfaces. Pipe to be rigidly supported on both sides of floor or wall assembly.

SCHOTT SCIENTIFIC GLASS

4. **Firestop System** The firestop system shall consist of the following:

A. **Forms** (Not Shown) — Used as a form to prevent the leakage of fill material during installation. Forms to be rigid sheet material, cut to fit the contour of the penetrating item and positioned from top surface of the floor as required to accommodate the required thickness of fill material. In walls, forms to be fastened to both surfaces of wall. Forms to be removed after fill material has cured.

B. **Fill, Void or Cavity Material*** — **Mortar** Min 3 in. thickness of fill material applied within the annulus flush with the top surface of the floor or with both surfaces of wall. Mortar to be mixed with water at a rate of 2.7 parts dry mixture to 1.0 part water by weight in accordance with the installation instructions supplied with the product.

A/D FIRE PROTECTION SYSTEMS INC — A/D FIREBARRIER Mortar

*Bearing the UL Classification Marking