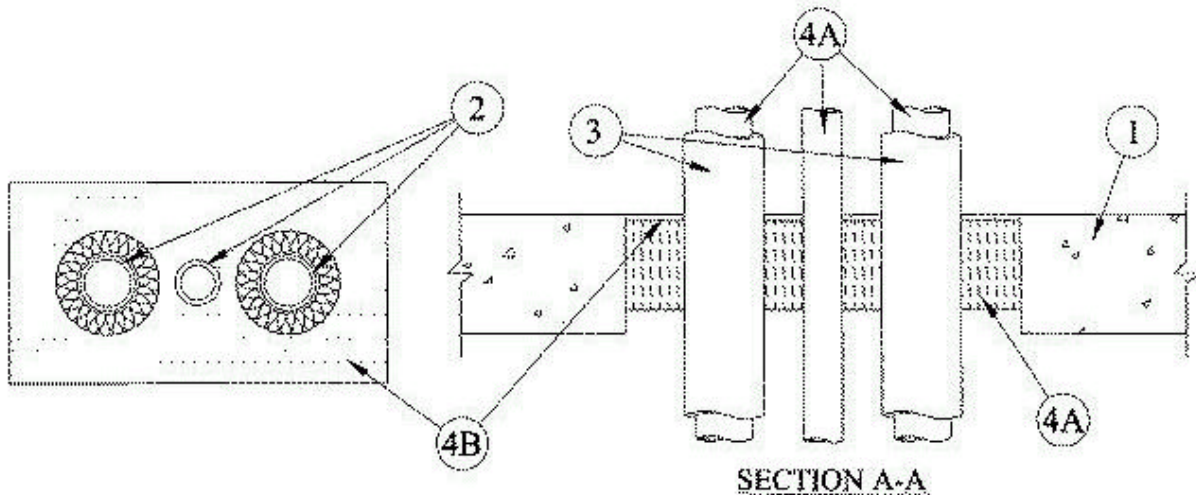


UL System No. C-AJ-8080

F Rating — 2 Hr

T Rating — 0 Hr



1. **Floor or Wall Assembly** Min 5 in. thick reinforced normal weight (140-150 pcf) concrete. Wall may also be constructed of any UL Classified **Concrete Blocks***. Max area of opening is 128 sq in. with max dimensions of 16 in.

See **Concrete Blocks** (CAZT) category in the Fire Resistance Directory for names of manufacturers.

2. **Through Penetrants** A max of three metallic pipes or tubing to be installed within the firestop system. The annular space between the through penetrants and the periphery of the opening shall be a min 3 in. to a max 7 in. Of the three through penetrants, a max of two shall have a nom dia. greater 1-1/4 in. Pipe or tubing to be rigidly supported on both sides of floor or wall assembly. The following types and sizes of metallic pipes or tubing may be used:

- A. **Steel Pipe** Nom 2 in. dia. (or smaller) Schedule 10 (or heavier) steel pipe.
- B. **Iron Pipe** Nom 2 in. dia. (or smaller) cast or ductile iron pipe.
- C. **Copper Tubing** Nom 2 in. dia. (or smaller) Type L (or heavier) copper tubing.
- D. **Copper Pipe** Nom 2 in. dia. (or smaller) Regular (or heavier) copper pipe.

3. **Pipe Coverings*** One of the following types of pipe coverings shall be used:

- A. **Pipe and Equipment Covering Materials*** Nom 1 in. thick hollow cylindrical heavy density (min 3.5 pcf) glass fiber units jacketed on the outside with an all service jacket. Longitudinal joints sealed with metal fasteners or factory-applied self-sealing lap tape. Transverse joints secured with metal fasteners or with butt tape supplied with the product.

C-AJ-8080 continued...

See **Pipe and Equipment Covering-Materials** (BRGU) category in the Building Materials Directory for names of manufacturers. Any pipe covering material meeting the above specifications and bearing the UL Classification Marking with a Flame Spread Index of 25 or less and a Smoke Developed Index of 50 or less may be used.

B. Pipe Covering Materials* Nom 1 in. thick unfaced mineral fiber pipe insulation having a nom density of 3.5 pcf (or heavier) and sized to the outside dia. of pipe or tube. Pipe insulation secured with min 8 AWG steel wire spaced max 12 in. OC.

OWENS CORNING SPECIALTY &

FOAM PRODUCTS— Paroc 1200, Paroc BWT or Paroc Thermaloc 1200

C. Sheathing Material* Used in conjunction with Item 3B. Foil-scrim-kraft or all service jacket material shall be wrapped around the outer circumference of the pipe insulation (Item 3B) with the kraft side exposed. Longitudinal joints and transverse joints sealed with metal fasteners or butt tape.

See **Sheathing Materials** (BVDV) category in the Building Materials Directory for names of manufacturers. Any sheathing material meeting the above specifications and bearing the UL Classification Marking with a Flame Spread Index of 25 or less and a Smoke Developed Index of 50 or less may be used.

The pipe coverings shall be installed on one or more through penetrants. The annular space between the insulated through penetrants and the periphery of the opening shall be a min 2 in. to a max 10 in. The space between the insulated penetrants shall be a nom 2-3/4 in. The space between the insulated penetrants and the uninsulated penetrants shall be a nom 1-1/4 in.

4. Firestop System The firestop system shall consist of the following:

A. Packing Material Min 4 in. thickness of min 4 pcf mineral wool batt insulation firmly packed into opening as a permanent form. Packing material to be recessed from top surface of floor or from both surfaces of wall as required to accommodate the required thickness of fill material.

B. Fill, Void or Cavity Material*-Sealant Min 1/4 in. thickness of fill material applied within the annulus, flush with top surface of floor or with both surfaces of wall.

A/D FIRE PROTECTION SYSTEMS INC — A/D FIREBARRIER Silicone

*Bearing the UL Classification Marking