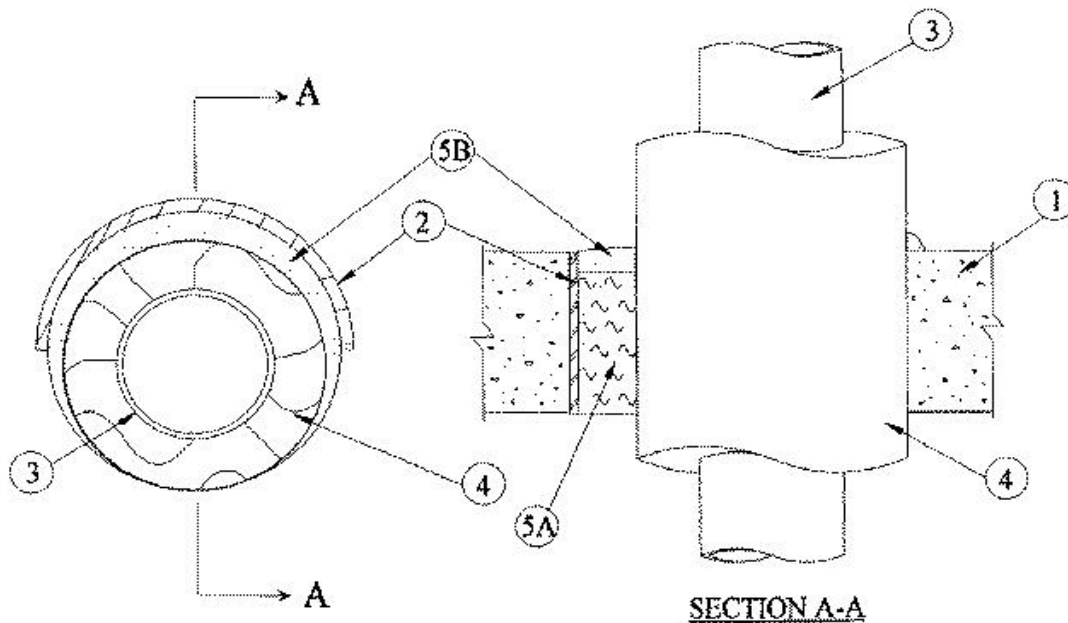


UL System No. C-AJ-5127

July 28, 2003

F Rating — 1 Hr

T Rating — 0 Hr



1. Floor or Wall Assembly — Min. 4-1/2 in. thick reinforced normal weight (140-150 pcf) concrete floor or min. 5 in. thick reinforced normal weight concrete wall. Wall may also be constructed of any UL Classified **Concrete Blocks***. Max. dia. of opening is 10 in.

See **Concrete Blocks** (CAZT) category in the Fire Resistance Directory for names of manufacturers.

2. Metallic Sleeve — (Optional) — Nom. 10 in. dia. (or smaller) Schedule 40 (or heavier) steel sleeve cast or grouted into floor or wall assembly, flush with floor or wall surfaces.

3. Through Penetrants — One metallic pipe to be installed either concentrically or eccentrically within the firestop system. Pipe to be rigidly supported on both sides of floor or wall assembly. The following types and sizes of metallic pipes may be used:

A. **Steel Pipe** — Nom. 4 in. dia. (or smaller) Schedule 40 (or heavier) steel pipe.

B. **Iron Pipe** — Nom. 4 in. dia. (or smaller) cast or ductile iron pipe.

C. **Copper Pipe** — Nom. 4 in. dia. (or smaller) Regular (or heavier) copper pipe.

4. Pipe Coverings* — One of the following types of pipe coverings shall be used:

A. **Pipe and Equipment Covering Materials*** — Nom. 2 in. thick hollow cylindrical heavy density (min. 3.5 pcf) glass fiber units jacketed on the outside with an all service jacket. Longitudinal joints sealed with metal fasteners or factory-applied self-sealing lap tape. Transverse joints secured with metal fasteners or with butt tape supplied with the product. The annular space within the firestop system shall be min. 0 in. (point contact) to max. 1-1/2 in.

See **Pipe and Equipment Covering — Materials** — (BRGU) category in the Building Materials Directory for names of manufacturers. Any pipe covering material meeting the above specifications and bearing the UL Classification Marking with a Flame Spread Index of 25 or less and a Smoke Developed Index of 50 or less may be used.

B. Pipe Covering Materials* — Nom. 2 in. thick unfaced mineral fiber pipe insulation having a nom. density of 3.5 pcf (or heavier) and sized to the outside dia. of pipe or tube. Pipe insulation secured with min. 8 AWG steel wire spaced max. 12 in. OC. The annular space within the firestop system shall be 0 in. (point contact) to max. 1-1/2 in.

OWENS CORNING HT INC, DIV OF OWENS CORNING — High Temperature Pipe Insulation 1200, High Temperature Pipe Insulation BWT or High Temperature Pipe Insulation Thermaloc

C. Sheathing Material* — Used in conjunction with Item 3B. Foil-scrim-kraft or all service jacket material shall be wrapped around the outer circumference of the pipe insulation (Item 4B) with the kraft side exposed. Longitudinal joints and transverse joints sealed with metal fasteners or butt tape.

See **Sheathing Materials** (BVDV) category in the Building Materials Directory for names of manufacturers. Any sheathing material meeting the above specifications and bearing the UL Classification Marking with a Flame Spread Index of 25 or less and a Smoke Developed Index of 50 or less may be used.

5. Firestop System — The firestop system shall consist of the following:

A. Packing Material — Min. 4 in. thickness of min. 4 pcf mineral wool batt insulation firmly packed into opening as a permanent form. At the point contact location between insulated through penetrant and concrete, packing material forced into interstices of insulated through penetrant and concrete to max. extent possible. Packing material to be recessed from top surface of floor or from both surfaces of wall as required to accommodate the required thickness of fill material.

B. Fill, Void or Cavity Material* — Sealant — Min. 1/2 in. thickness of fill material applied within the annulus, flush with top surface of floor or with both surfaces of wall assembly. At the point contact location between insulated through penetrant and concrete, a min. 3/8 in. dia. bead of caulk grade fill material shall be applied at the concrete/insulated through penetrant interface on the top surface of floor and on both surfaces of wall.

A/D FIRE PROTECTION SYSTEMS INC — A/D FIREBARRIER Silicone SL (floors only) and A/D FIREBARRIER Silicone (floors and walls)

*Bearing the UL Classification Mark