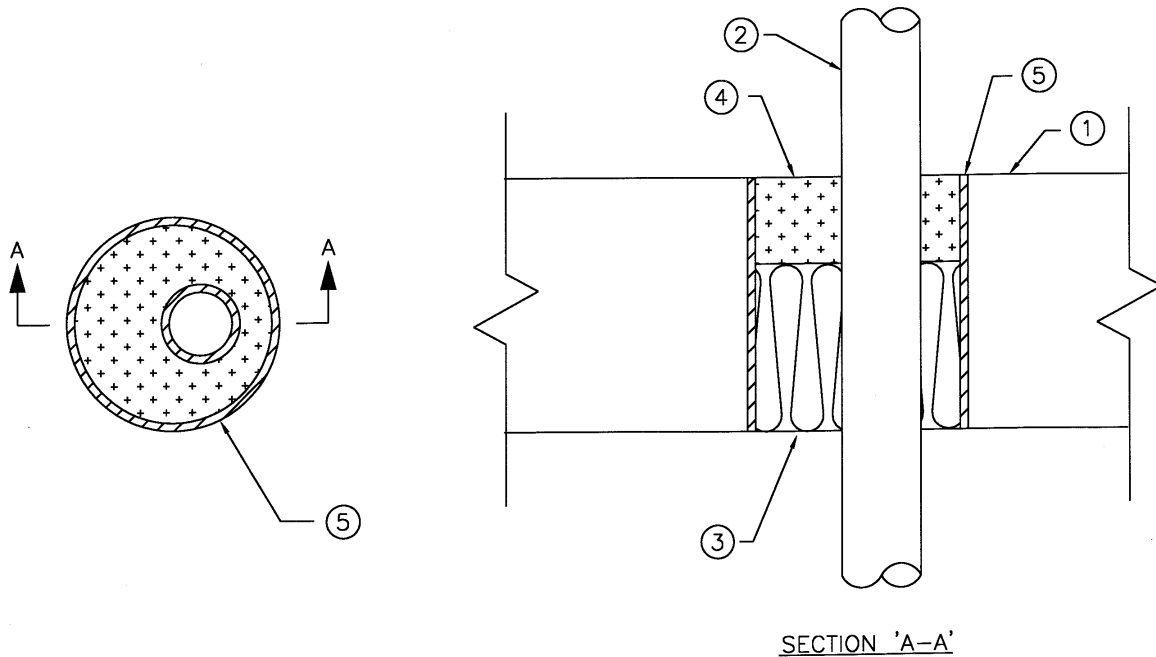


SYSTEM No. SP768
(For Horizontal or Vertical Separations)

F Rating – 2 h
FT, FH and FTH Ratings – 0 h



1. Floor or Wall Assembly– Minimum 115 mm thick reinforced concrete floor or wall of normal-density concrete. Wall may also be constructed of nominal 200 mm thick concrete block laid up with mortar. Maximum size of opening is 102 mm diameter.

2. Non-Metallic Pipes– Nominal 38 mm OD (or smaller), Schedule 40 PVC pipe for use in closed systems (process or water supply) only. Pipe to be installed such that the annular space is 19 mm to 42 mm maximum.

• **3. Batts and Blankets**– Mineral wool insulation, Type "A/D FIREBARRIER Mineral Wool", compressed 33% and installed within the opening to a minimum depth of 89 mm and recessed 25 mm from top surface of slab or both sides of wall.

A/D FIRE PROTECTION SYSTEMS INC.

• **4. Firestop System Components** –(Guide No. 40 U19.13). Type "A/D FIREBARRIER Silicone Sealant" caulk grade sealant applied on top of mineral wool insulation to a minimum depth of 25 mm. For vertical installations, sealant to be applied symmetrically on both sides of wall.

A/D FIRE PROTECTION SYSTEMS INC.

5. Pipe Sleeve (optional) – Nominal 100 mm OD, Schedule 40 (or heavier) steel pipe sleeve cast or grouted into floor or wall assembly flush with floor or wall surfaces.