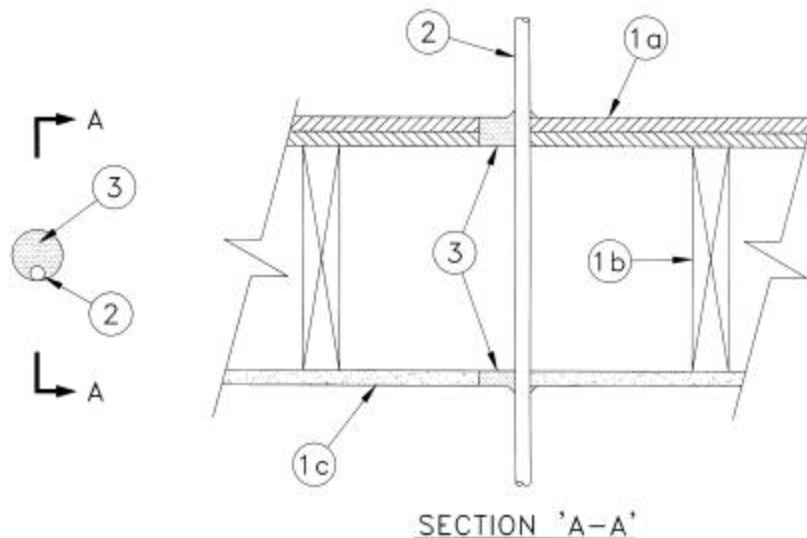


**ULC SYSTEM No. SP1001**  
**(For Horizontal or Vertical Separations)**

**F and FH Ratings** - 1 h  
**FT and FTH Ratings** - 3/4 and 1 h (see Item 2)



**1. Floor-Ceiling Assembly** – The 1 h fire rated wood joist, floor-ceiling assembly shall be constructed of materials and in the manner specified in the ULC List of Equipment and Materials, Fire Resistance Ratings. The general construction details of the floor-ceiling assembly shall include the following:

**(a) Flooring System** – Lumber or plywood subfloor with finish floor of lumber, plywood or floor topping mixture, as specified in the individual Floor-Ceiling Design. Maximum diameter of floor opening is 16 mm.

**(b) Wood Joist** – Nominal 50 by 250 mm lumber joist spaced 406 mm OC with nominal 25 by 75 mm lumber bridging and with ends firestopped.

**(c) Wallboard, Gypsum** – Nominal 1219 mm wide by 16 mm thick as specified in the individual Floor-Ceiling Design. Maximum diameter of ceiling opening is 16 mm.

**2. Cables** – Cables – One cable to be installed eccentrically or concentrically in opening with annular space between the cable and periphery of opening of minimum 0 mm (point contact) to maximum 6.4 mm. Cable to be rigidly supported on both sides of Floor-Ceiling Assembly. The following types of cable may be used:

**(a)** Maximum 3/c with ground – No. 12 AWG (or smaller) with Polyvinyl Chloride (PVC) insulation and jacket.

**(b)** Maximum 3/c with ground – No. 14 AWG (or smaller) PVC jacketed aluminum or steel clad, Type RW90.

**(c)** Type RG6U - Coaxial cable with fluorinated ethylene propylene insulation and jacket.

**(d)** Maximum 2/c with ground – No. 14 AWG (or smaller), type NMD90, with Nylon jacket.

**SP1001 continued...**

- (e) Maximum 8/c – No. 24 AWG (or smaller) type CMR MPR with Polyvinyl Chloride (PVC) insulation and jacket.

The T Rating of the Firestop System is dependent upon the cable type(s) as tabulated below:

<b>Cable Type</b>	<b>FT &amp; FTH Ratings</b>
A, B, C, and E	1
D	3/4

- **3. Firestop System Components** – (Guide No. 40 U19.13). "A/D FIREBARRIER Intumescent Caulk" applied within the annular on top surface of floor to a minimum depth of 32 mm. On bottom of assembly, a minimum depth of 16 mm of caulk applied with annulus on bottom surface of ceiling. Additional caulk material installed such that a minimum 13 mm thick crown is formed around the through penetrant on both sides of floor-ceiling assembly.

A/D FIRE PROTECTION SYSTEMS INC.