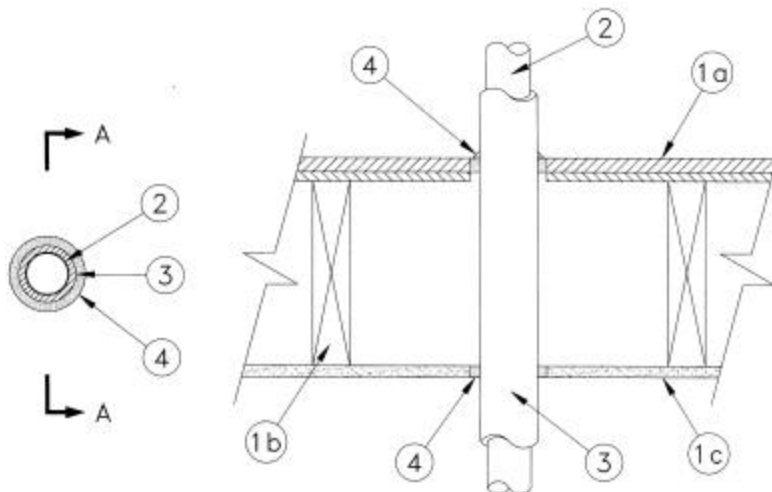


**ULC SYSTEM No. SP1003
(For Horizontal or Vertical Separations)**

F and FH Ratings - 1 h
FT and FTH Ratings - 1 h



SECTION 'A-A'

1. Floor-Ceiling Assembly – The 1 h fire rated wood joist, floor-ceiling assembly shall be constructed of materials and in the manner specified in the ULC List of Equipment and Materials, Fire Resistance Ratings. The general construction details of the floor-ceiling assembly shall include the following:

(a) Flooring System – Lumber or plywood subfloor with finish floor of lumber, plywood or floor topping mixture, as specified in the individual Floor-Ceiling Design. Maximum diameter of floor opening is 146 mm.

(b) Wood Joist – Nominal 50 by 250 mm lumber joist spaced 406 mm OC with nominal 25 by 75 mm lumber bridging and with ends firestopped.

(c) Wallboard, Gypsum – Nominal 1219 mm wide by 16 mm thick as specified in the individual Floor-Ceiling Design. Maximum diameter of ceiling opening is 146 mm.

2. Steel Pipe or Conduits – One metallic pipe, conduit or tubing to be installed concentrically within the firestop system. Pipe, conduit or tubing to be rigidly supported on both sides of floor or wall assembly. The annular space shall be maximum 8 mm. The following types and sizes of pipes, conduits or tubing may be used:

(a) Steel Pipe – Nominal 102 mm diameter (or smaller) Schedule 10 (or heavier) steel pipe.

(b) Conduit – Nominal 102 mm diameter (or smaller) steel electrical metallic tubing or steel conduit.

(c) Copper Pipe or Tubing – Nominal 102 mm diameter (or smaller) Type L (or heavier) copper tubing.

3. Pipe Insulation – Pipes (Items 2a, 2b, or 2c) to be wrapped with 13 mm thick ULC labelled fibreglass pipe insulation with a nominal 56 kg/m³ density jacketed on the outside with an all service jacket. Longitudinal joints sealed with factory-applied self-sealing lap tape. Transverse joints sealed with butt tape supplied with the product.

• **4. Firestop System Components** – (Guide No. 40 U19.13). "A/D FIREBARRIER Intumescent Caulk" applied within the annular space between pipe and floor to a minimum depth of 19 mm. Caulk applied within annular space between pipe and ceiling assembly to a minimum depth of 16 mm. Additional material to be installed to form a crown bead of minimum 13 mm around perimeter of pipe at floor assembly.

A/D FIRE PROTECTION SYSTEMS INC.