

## System No. SP763

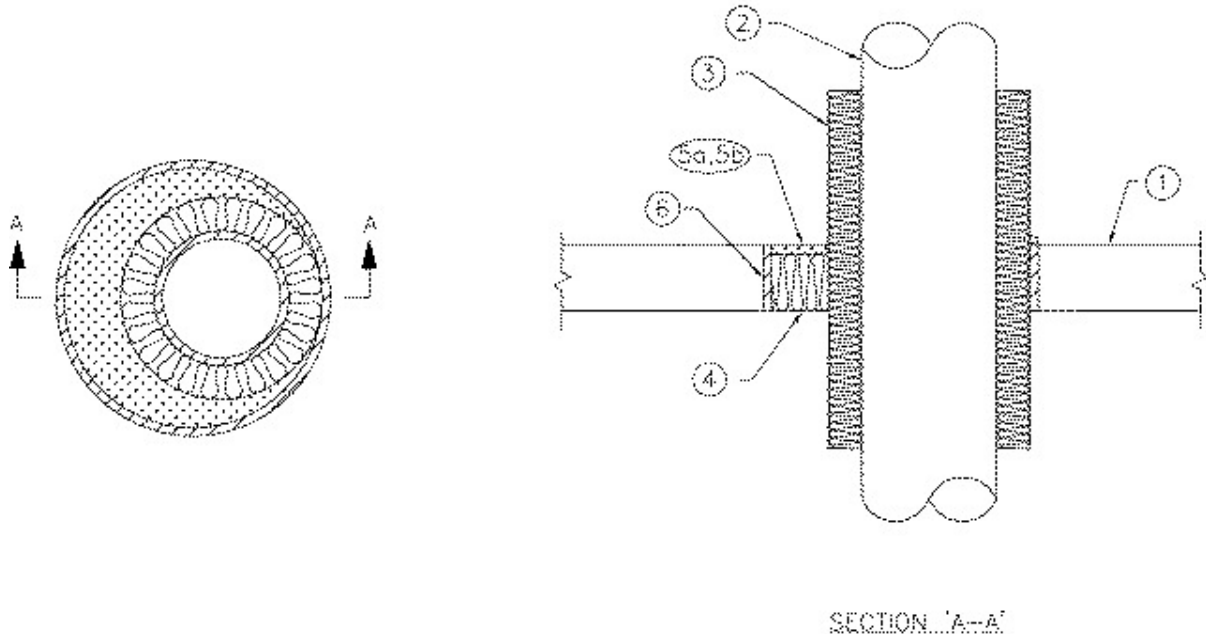
June 26, 2007

(For Horizontal or Vertical Separations)

F Rating - 2 h

FT Rating - 0 or 1-1/2 h (See item 6)

FH and FTH Ratings - 0 h



1. **Floor or Wall Assembly** — Minimum 115 mm thick reinforced concrete floor or wall of normal-density concrete. Floor may also be constructed of minimum 152 mm thick hollow-core precast concrete units having a fire resistance rating equal to or greater than that of the firestop system. Wall may also be constructed of nominal 200 mm thick concrete block laid up with mortar. Maximum size of opening is 508 mm diameter. When precast concrete units are used, maximum diameter of opening is 178 mm.

2. **Pipe** — Nominal 250 mm diameter (or smaller), Schedule 40 (or heavier) steel pipe, or cast or ductile iron pipe, reliably supported on both sides of opening. Pipe to be wrapped with Pipe Insulation (Item 3) and installed such that the annular space is 0 (point contact) to 64 mm maximum.

3. **Pipe Insulation** — Pipe to be wrapped with nominal 76 mm thick, nominal 64 kg/m<sup>3</sup> density, ULC labelled fibreglass pipe insulation jacketed on the outside with an all service jacket. Longitudinal joints sealed with factory-applied, self-sealing lap tape. Transverse joints secured with butt strip tape supplied with the product.

4. **Batts and Blankets** — XHJZC (Guide No. 40 U18.2). Mineral wool insulation, Type "A/D Firebarrier Mineral Wool", compressed 33% and installed within the opening to a minimum depth of 100 mm recessed 13 mm from top surface of floor or both surfaces of wall. When extended pipe sleeves (item 6) are used, mineral wool insulation compressed 33% and installed within the opening to a minimum depth equal to the length of the sleeve. Mineral wool recessed 13 mm from the top of the sleeve installed in a floor or 13 mm from both sides of the sleeve installed in a wall.

## **A/D FIRE PROTECTION SYSTEMS INC**

· **5. Firestop System Components** — XHJZC (Guide No. 40 U19.13). The firestop system shall consist of the following:

(a) Type "A/D FIREBARRIER Silicone Sealant" caulk grade, applied to top of mineral wool insulation to a minimum depth of 13 mm. In floors constructed of hollow-core precast concrete units, silicone sealant installed symmetrically on both sides of floor. Additional material to be installed to form a crown bead of 6.4 mm at the point contact location between penetrating item and edge of opening. For vertical installations, sealant to be applied symmetrically on both sides of wall.

(b) Type "A/D FIREBARRIER Silicone Sealant S/L", for horizontal installations only, applied to top of mineral wool insulation to a minimum depth of 13 mm. Additional caulk grade material (Item 4a) installed to form a crown bead of 6.4 mm at the point contact location between penetrating item and edge of opening.

## **A/D FIRE PROTECTION SYSTEMS INC**

**6. Pipe Sleeve** — (optional) - Nominal 500 mm diameter (or smaller), Schedule 40 (or heavier) steel pipe sleeve cast or grouted into floor or wall assembly flush with floor or wall surfaces. The ends of the sleeve may project a maximum of 44 mm beyond both surfaces of floor or wall. When sleeve projects beyond surface of floor or wall, FT Rating is 0 h.