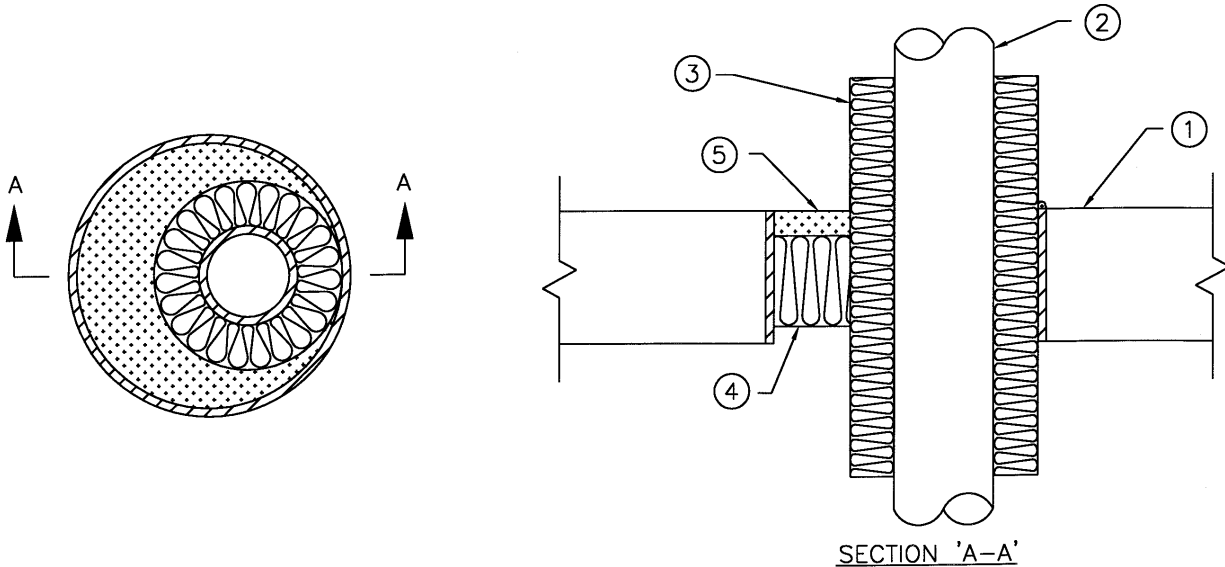


**ULC SYSTEM No. SP765**  
**(For Horizontal or Vertical Separations)**

**F and FH Ratings – 2 h**  
**FT and FTH Ratings – 1-1/2 h**



**1. Floor or Wall Assembly** – Minimum 115 mm thick reinforced concrete floor or wall of normal-density concrete. Wall may also be constructed of nominal 200 mm thick concrete block laid up with mortar. Maximum size of opening is 216 mm diameter.

**2. Pipe** – Nominal 100 mm OD (or smaller), Schedule 40 (or heavier) steel pipe, or cast or ductile iron pipe, nominal 100 mm OD, reliably supported on both sides of opening. Pipe to be wrapped with Pipe Insulation (Item 3) and installed such that the annular space is 0 (point contact) to 64 mm maximum.

**3. Pipe Insulation** – Pipe to be wrapped with nominal 19 mm thick, nominal 64 kg/m<sup>3</sup> density, ULC labelled fibreglass pipe insulation jacketed on the outside with an all service jacket. Longitudinal joints sealed with factory-applied, self-sealing lap tape. Transverse joints secured with butt strip tape supplied with the product.

• **4. Batts and Blankets** – Mineral wool insulation, Type "A/D Firebarrier Mineral Wool", compressed 33% and installed within the opening to a minimum depth of 50 mm recessed 25 mm from top surface of floor or both sides of wall.

A/D FIRE PROTECTION SYSTEMS INC.

• **5. Firestop System Components** – (Guide No. 40 U19.13). Type "A/D Firebarrier Mortar" installed as per manufacturer's installation instructions and trowelled into the opening on top of mineral wool insulation to a minimum depth of 25 mm flush with the top surface of floor or both sides of wall.

A/D FIRE PROTECTION SYSTEMS INC.

**6. Pipe Sleeve** (optional) – Nominal 200 mm OD, Schedule 40 (or heavier) steel pipe sleeve cast or grouted into floor or wall assembly flush with floor or wall surfaces.

June 11, 2002