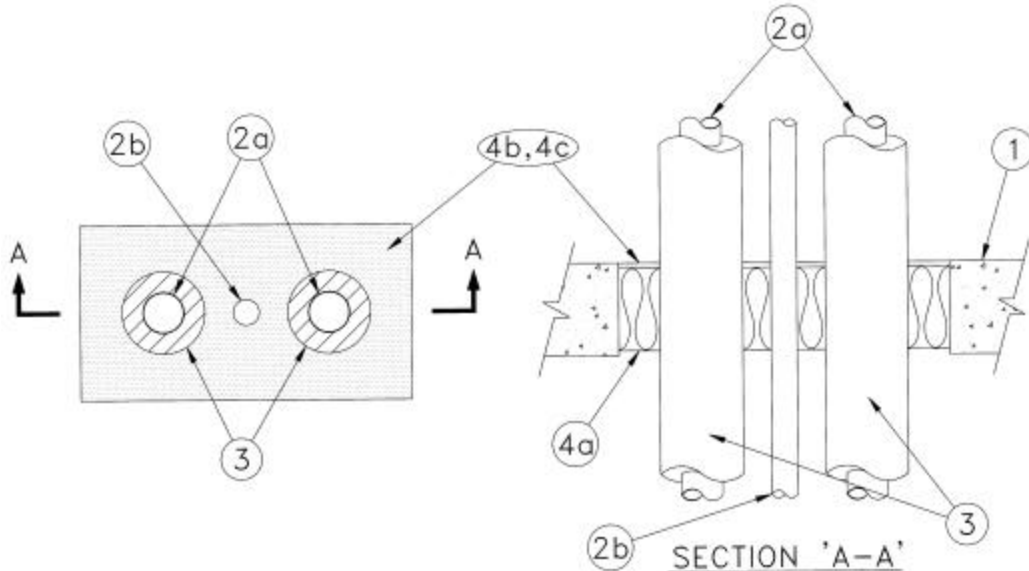


**ULC SYSTEM No. SP916**  
**(For Horizontal or Vertical Separations)**

**F and FH Ratings        – 2 h**  
**FT and FTH Ratings     – 0 h**



**1. Floor or Wall** – Minimum depth or thickness as necessary for required grade of fire separation but not less than 115 mm. Normal-density ( $2400 \pm 50 \text{ kg/m}^3$ ) concrete floor or wall, or nominal 200 mm concrete block wall. Maximum size of opening 216 mm by 406 mm. For opening in concrete block wall, concrete or mortar shall be used to create a solid surround to the opening.

**2. Pipes** – All pipes to be reliably supported above through-opening. A maximum of three pipes may be installed within the opening. Pipes to be installed minimum 38 mm apart and 50 mm from the edge of the opening.

**(a) Copper, Steel, or Iron Pipe or Steel Conduit** – 54 mm OD maximum and 1.5 mm minimum wall thickness.

**(b) Copper, Steel, or Iron Pipe or Steel Conduit** – 35 mm OD maximum and 1.0 mm minimum wall thickness.

**3. Pipe Insulation** – Copper pipe (Item 2a) to be wrapped with nominal 25 mm thick, nominal  $56 \text{ kg/m}^3$  density, ULC labelled fibreglass pipe insulation. Longitudinal joints sealed with factory applied, self-sealing tape. Transverse joints secured with butt strip tape supplied with the product.

• **4. Firestop System Component** – (Guide No. 40 U19.13).

(a) Type A/D Firebarrier mineral wool insulation compressed to 33% into the opening to a depth of 102 mm and a minimum of 6.4 mm below surface of floor slab or recessed 6.4 mm from wall surfaces. Grain of insulation to be perpendicular to plane of floor or wall.

(b) Type "A/D Firebarrier Silicone Sealant", gungrade, applied over insulation (Item 4a) to a minimum depth of 6.4 mm. For vertical separations, apply to a minimum depth of 6.4 mm on both sides of the assembly.

(c) For horizontal separations only, Type "A/D Firebarrier Silicone Sealant SL" applied over insulation (Item 4a) to a minimum depth of 6.4 mm flush with the top surface of the slab.

A/D FIRE PROTECTION SYSTEMS INC.

June 11, 2002