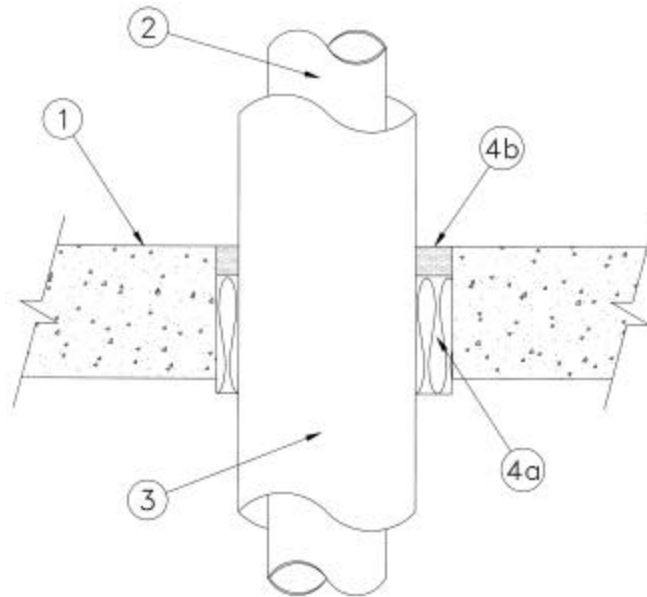


**ULC SYSTEM No. SP958
(For Horizontal or Vertical Separations)**

**F and FH Ratings – 3 h
FT and FTH Ratings – 3/4 h**



1. Floor or Wall Assembly – Minimum 115 mm thick reinforced normal-density (2400 kg/m³) concrete. Wall may also be constructed of nominal 200 mm thick concrete block. Maximum diameter of opening is 203 mm.

2. Pipes or Conduits – One metallic pipe, conduit or tubing to be installed within the firestop system. Pipe, conduit or tubing to be rigidly supported on both sides of floor or wall assembly. The annular space shall be 19 mm to maximum 31 mm. The following types and sizes of pipes, conduits or tubing may be used:

(a) Steel Pipe – Nominal 102 mm diameter (or smaller) Schedule 10 (or heavier) steel pipe.

(b) Iron Pipe – Nominal 102 mm diameter (or smaller) cast or ductile iron pipe.

(c) Conduit – Nominal 102 mm diameter (or smaller) steel electrical metallic tubing or steel conduit.

(d) Copper Pipe or Tubing – Nominal 102 mm diameter (or smaller) Type L (or heavier) copper tubing.

3. Pipe Insulation – Pipes (Items 2a, 2b or 2c) to be wrapped with 25 mm thick ULC labelled mineral wool or fibreglass pipe insulation with a nominal 56 kg/m³ density jacketed on the outside with an all service jacket. Longitudinal joints sealed with factory-applied self-sealing lap tape. Transverse joints sealed with butt tape supplied with the product.

• **4. Firestop System Components** – (Guide No. 40 U19.13).

(a) Batts and Blankets – Type "A/D Firebarrier Mineral Wool" compressed 33% and installed within the opening to a minimum depth of 100 mm and recessed to allow for the installation of sealants (Item 4b) at the top surface of slab or both sides of wall.

(b) Sealants – Type "A/D Firebarrier Intumescent Caulk" applied to the top of the mineral wool insulation to a minimum depth of 25 mm. For vertical installations, sealant to be applied on both sides of wall.

A/D FIRE PROTECTION SYSTEMS INC.

June 11, 2002